

Assembly Instructions Seatpost (Straight)

Your seatpost is made of extremely strong carbon fibers which are highly tear resistant. Due to the nature of the material, it is vulnerable to pressure or when being cut by sharp edges or being drilled. Hence, we must ask you to follow the safety instructions below to the letter:

1. The seatpost must be clamped in the reinforced area only. Within this area the tube is designed to accept the clamping forces. Make sure the frame's seat tube is between the yellow lines! If you cannot adjust your seatheight within this range, please change to a seatpost of appropriate length.
2. If there are any sharp edges at the end of the frame, in particular at the slot, these must be smoothed prior to fitting our seatpost using a file or emery paper.
3. Take care that no dirt or metal chips are trapped inside the tightening zone.
4. Pay attention to the permitted tightening torques!

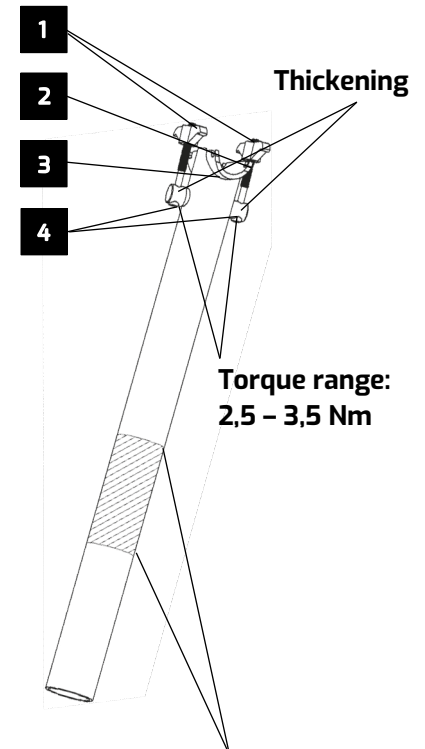
Greased titanium screws for mounting the saddle rail: 2.5 – 3.5 Nm.
Clamping at the frame: 2.5 – 3.5 Nm.

5. Apply the enclosed fitting paste on the tightening zone. This paste increases friction and reduces the necessary tightening torques by 1.5 Nm.
6. Do not tighten the screws to the specified maximum values at first. Start at the lowest specified values and check if the connection is tight enough. If necessary, increase the tightening torques, but do not exceed the specified maxima. Low forces relieve the seatpost and increase its longevity.
7. Do not mount the seatpost dry in the frame. Dry carbon seatposts tend to corrode in metal frames. Use the enclosed mounting paste. If not available, use grease instead of.
8. If the railing of your carbon saddle is prone to making noises, use grease only for the yoke and the halfpipe contact areas. Do not use the carbon mounting paste there.

SAFETY & WARRANTY:

If the specified maximum values are exceeded, you put your safety and health at risk and the warranty expires.

Grease contact areas 1 – 4



Top edge of frame only within the marking

Clamping at the frame: 2,5 – 3,5 Nm

 **Clamping area**

3-year warranty on SCHMOLKE Carbon products

You have purchased a quality product that is carefully handmade in Germany and then individually checked. Since we produced the first road handlebar made of carbon fiber in 1992, we have been setting standards in terms of weight and durability in terms of weight and durability. In addition to the positive test results of our products, we also see ourselves confirmed by the many professional athletes who count on our components in their daily training and competition. All SCHMOLKE Carbon bike parts are designed in several layers after computer-aided analysis of the forces that occur and are optimally adapted to the respective rider type.

We will replace your SCHMOLKE Carbon bike part free of charge in the event of a material-related crack or breakage within the first 3 years from the date of purchase (first ownership). Therefore, register your new product to receive the full warranty. Simply scan the QR code on the right!



V2023-01